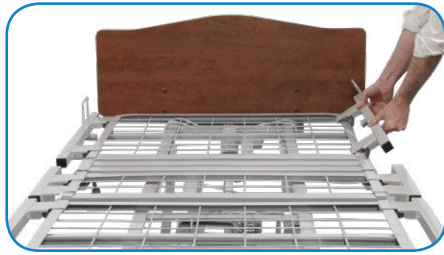


Now available: Tool-less expansion to 42"



Attach easy-on expanders tool-lessly to both sides of the head, seat and foot decks after corner mattress retainers have been removed.

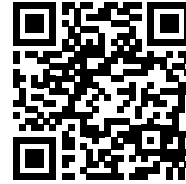


Spring-driven latches beneath the expander units attach firmly to the deck providing a 42" sleep surface for user comfort, fall prevention and ADLs.



Our molded plastic and metal half-head assist rails are both compatible with the expanders, mounting securely to the expanders before installation.

Build your own Span bed online with our interactive configurator at www.configurebed.com



Standard features include:

- Precision welded orthopedic grid decks
- Durable, anti-microbial polyester powder-coating of metal components
- Smooth deck design for easier cleaning
- Mobility at any height
- Vascular foot rest with easy ratchet operation
- Beds move vertically with virtually no horizontal motion
- Arched legs allow wide stance for clearance and stability
- Honeycomb bumpers protect walls
- Pendant bed controller

Optional features:

- 42" Tool-less bed expanders
- Foot end controller with lockout
- Molded half-head assist rail
- Dollies for streamlined bed logistics and maintenance
- Stylish head and foot board options
- Bed extenders
- Mobility options including floor level locking

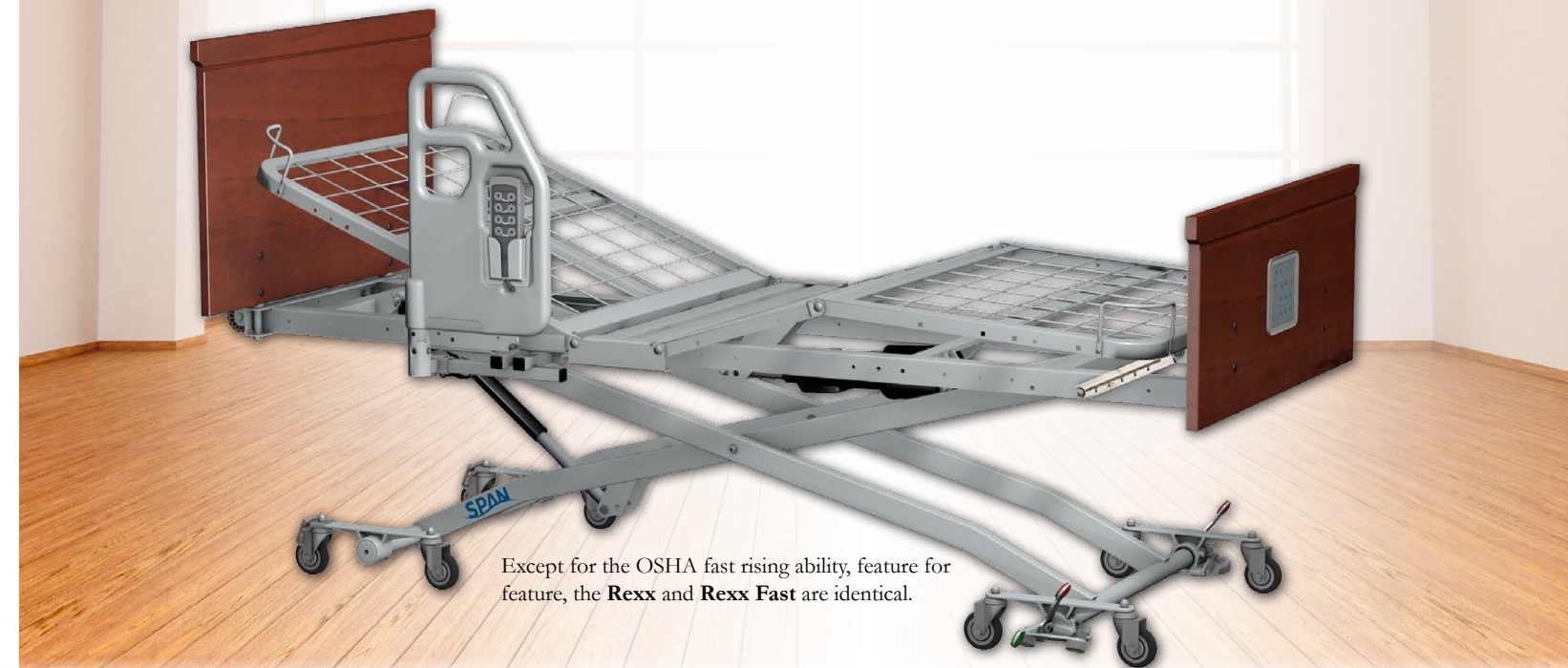
Height Floor to Mattress Support	7-7/8" - 27"
Deck Angles - Back Elevation	0 - 70°
Deck Angles - Knee Elevation	0 - 20°
Bed Length - Overall Length	84-1/2" / 88-1/2"
Bed Length - Sleep Surface	76" / 80"
Bed Width - Sleep Surface	35"
Weight of Bed	170 lbs / 78 kg
Safe Working Load	450 lbs / 204 kg
Warranty	Mechanical: 5 years Frame: 15 years Welds: 15 years

Rexx & Rexx Fast

Item #	Description
QD2000*	Rexx bed 35" x 80"
QD2000MLF	Rexx bed 35" x 80"; 360° mobility; floor lock; FEC
QD2000Y	Rexx bed 35" x 76"
QD2000YMLF	Rexx bed 35" x 76"; 360° mobility; floor lock; FEC
QD2250*	Rexx Fast bed 35" x 80"
QD2250MLF	Rexx Fast bed 35" x 80"; 360° mobility; floor lock; FEC
QD2250Y	Rexx Fast bed 35" x 76"
QD2250YMLF	Rexx Fast bed 35" x 76"; 360° mobility; floor lock; FEC
<i>*Other models add suffixes: 'Y' for 76" deck / 'M' for 360° mobility / 'L' for floor lock / 'F' for foot end controls</i>	
RM930	Three position pivot assist rail - universal
RM937	Three position molded pivot assist rail
RM950	Fixed assist rail - universal
RAD306H	Standard half head end side rail - set
RAD307H	Set of molded half head end side rails
RAD307H-L	Left side molded half head end side rail
RAD307H-R	Right side molded half head end side rail
RR501	Three quarter length collapsible side rails
Q6416LP	Rexx plastic pendant holder - head/foot board mount
Q6417LP	Rexx gooseneck pendant holder - board mount
Q5302	Patient helper, trapeze bar, chain and hand grip
Q6622	Rexx patient helper bracket
Q6722	Trapeze bracket - dual socket

Rexx & Rexx Fast

Span's low-bed design advantages with fast-rising technology.



Except for the OSHA fast rising ability, feature for feature, the **Rexx** and **Rexx Fast** are identical.



Meets OSHA Guidelines

Meets the recommended adjustment time of 20 second or less as outlined in the OSHA* guidelines.

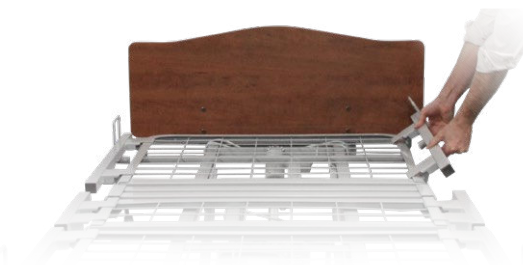
Full Mobility at any Height

Staff maneuvers from upright – not hunched-over position – provides safer, quicker relocation.



42 Inch Tool-less Expanders

Easily attach expanders for wider sleeping and caregiving surface; remove expanders tool-lessly to steer bed through narrow doorways.



Contact your local Span Representative or call Beds/Furniture Customer Service:

800-268-8671

www.spanamerica.com

RRF-01 PO Box 5231 Greenville, SC 29606 ©2019 Span-America Medical Systems, Inc.

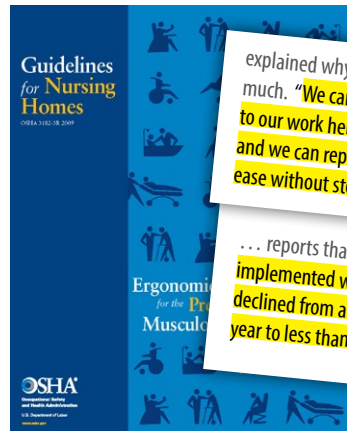
SPAN
better science. better care.

www.spanamerica.com

SPAN
better science. better care.

Rexx and Rexx Fast

As a fast-rising bed, **Rexx Fast** can also be expected to reduce staff injuries related to stooping, lifting and repositioning the resident.



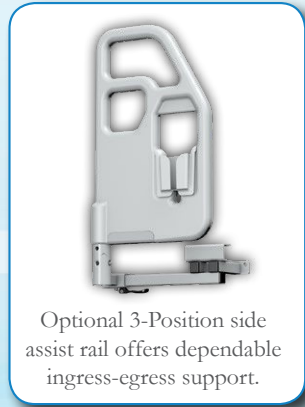
explained why she liked the new beds so much. "We can quickly bring the bed up to our work height with a push of a button and we can reposition a resident... with ease without stooping or struggling."

... reports that, after the program was implemented workers' compensation costs declined from an average of \$140,000 per year to less than \$4,000 per year.

*Excerpts from OSHA Publication 3182-3R 2009: a study in which 58 fast-rising low beds were purchased as a key equipment component in a nursing home ergonomics program to address caregiver injury and turnover rates and related operating expense including worker's compensation costs.



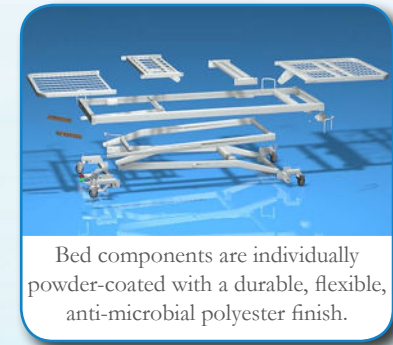
An efficient vascular foot rest elevates the legs without the need for pillows/bedding.



Optional 3-Position side assist rail offers dependable ingress-egress support.



Optional, pleasant to touch molded plastic half-head assist rails. All rails also available in steel.



Bed components are individually powder-coated with a durable, flexible, anti-microbial polyester finish.



Soft honeycomb roller bumpers safeguard the walls when the bed is raised or lowered.



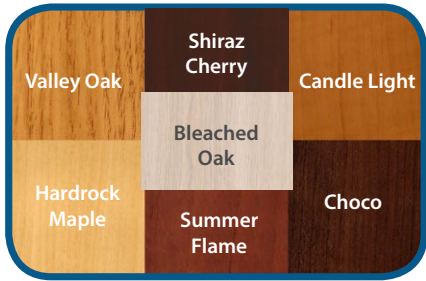
Positively anchored retainers in four corners to eliminate mattress movement and dangerous gaps



Optional dollies facilitate easy under-bed service and bed passage on its side through narrow doorways.



Choice of 7 finishes and 8 head board profiles



Standard Melamine Profiles



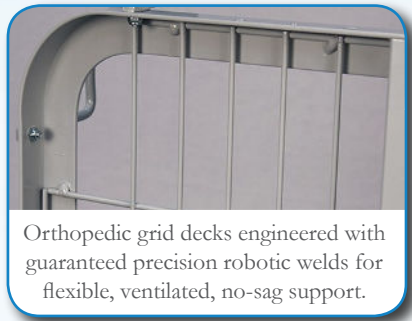
Elite HPL Profiles



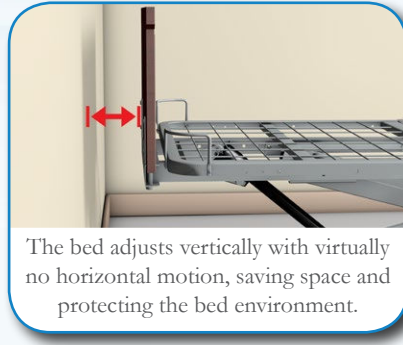
In addition to the standard pendant controller, a foot-end control with staff-only lockout is available.



Optional full 360° mobility and lockability at any height for safer, ergonomic bed relocation.



Orthopedic grid decks engineered with guaranteed precision robotic welds for flexible, ventilated, no-sag support.



The bed adjusts vertically with virtually no horizontal motion, saving space and protecting the bed environment.



Decks have smooth upper surface for easy disinfection – preferable to decks with protruding welds.