



P11634 Digital Floor Lift Scale



The P11634 is an innovative digital patient lift scale that is compatible with Span-America brand patient floor lifts. It can read patient weight up to 660 lb. The clear digital LCD displays weight units in either lb or kg. Its compact size will not significantly change the lifting range of the patient lift.

FEATURES:

- Die-cast aluminum case
- High accuracy loadcell
- 50mmx20mm LCD display with backlight
- Uses 3 ea AA batteries (included)

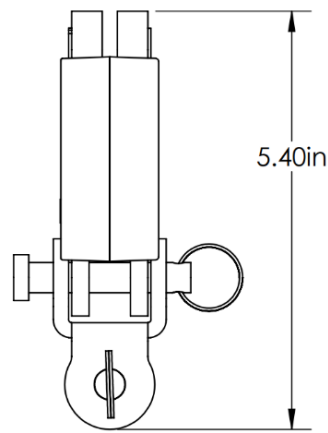
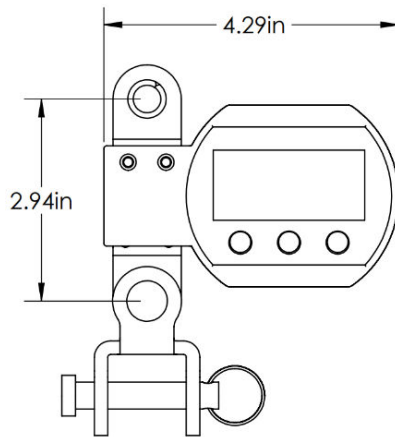
FUNCTIONS:

- Zero/Tare
- Display hold
- Auto power off
- Battery life display
- Overload warning
- Unit switch

DIMENSIONS:

Front view

Side view



SPECIFICATIONS:

Max. Capacity:	660lbs / 300kg
Resolution:	0.2lbs / 0.1kg
Safety Load:	120% F.S.
Overload Warning:	100% F.S. + 2lbs / +1kg
Zero Range:	4% F.S. Tare Range 100% F.S. Battery Life >150 hours
Operational Temp. Range:	14°F ~ 104°F
Net Weight:	1.5 lb
Part #:	P11634



better science. better care.

Span-America Medical Systems, Inc.
Greenville, SC 29606
(800) 888-6752