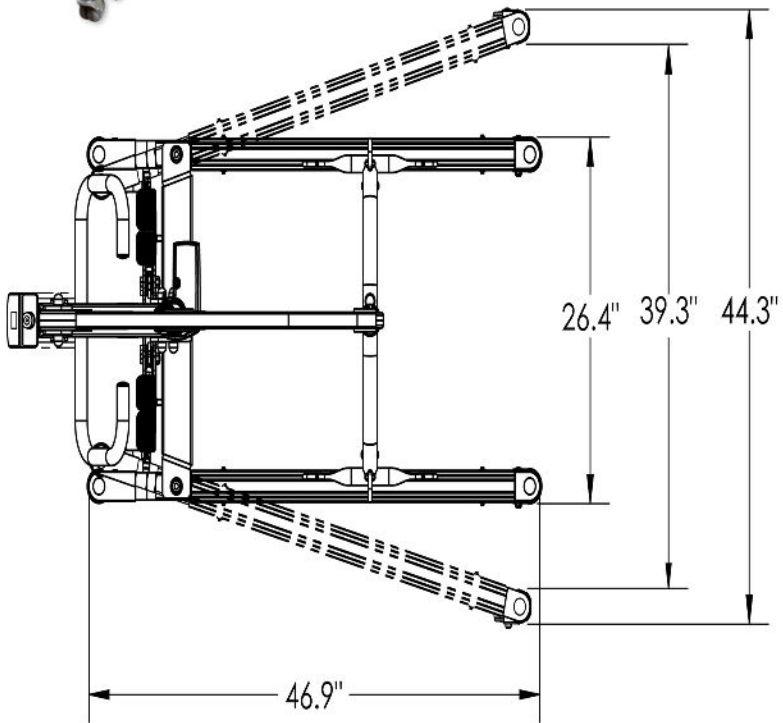


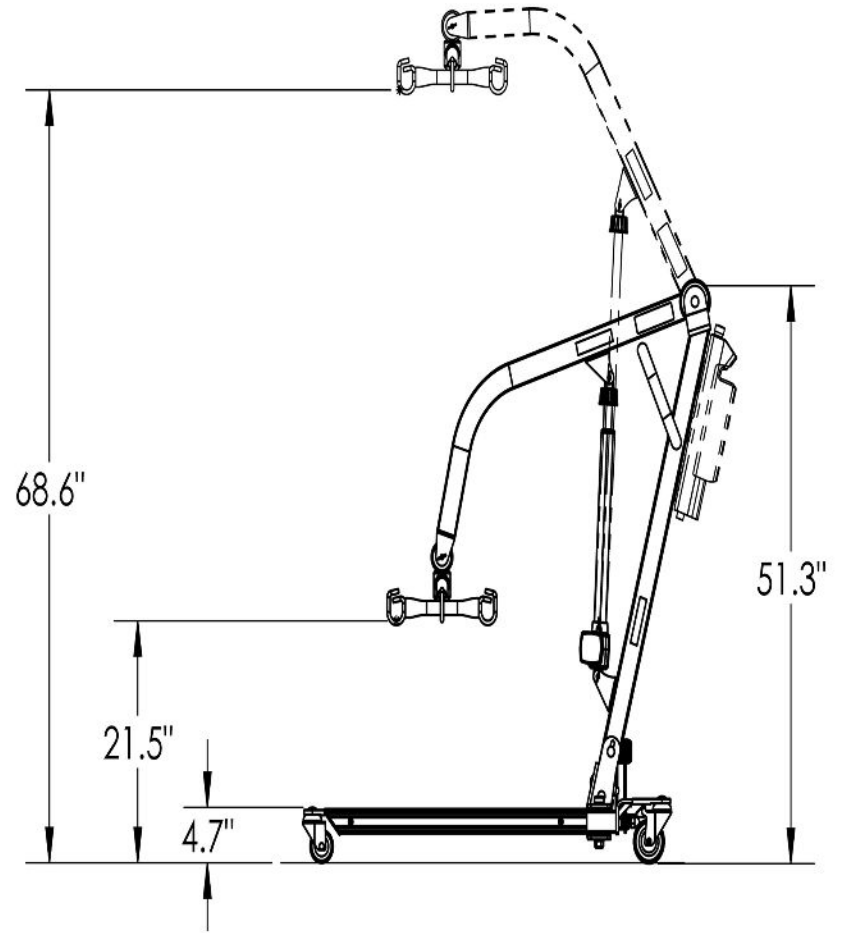


Span F600B

Bariatric Full Body Patient Lift



DIMENSIONS CHART



SPAN
better science. better care.

800-888-6752
spanamerica.com