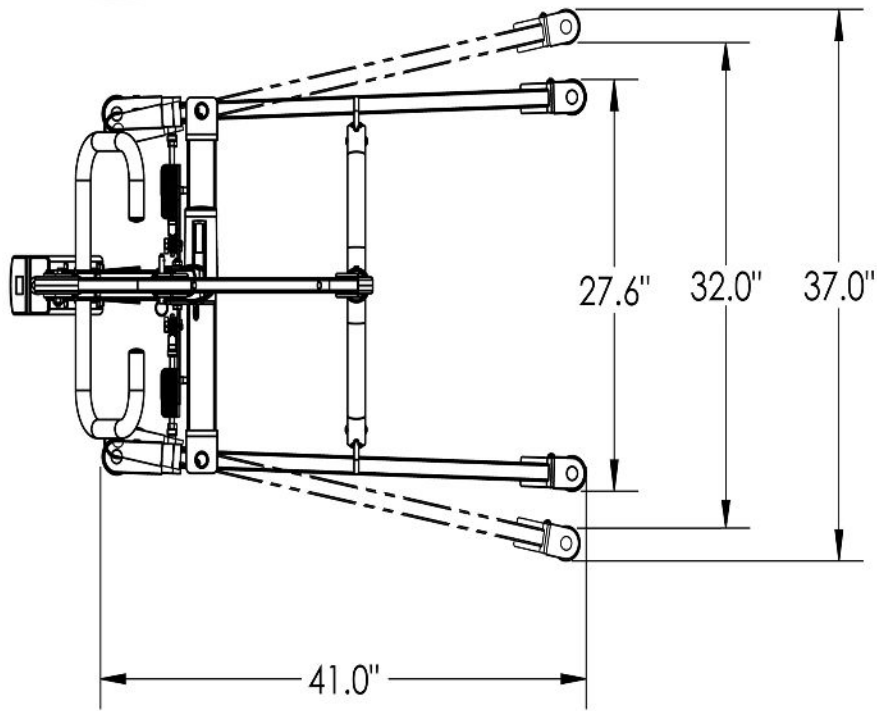


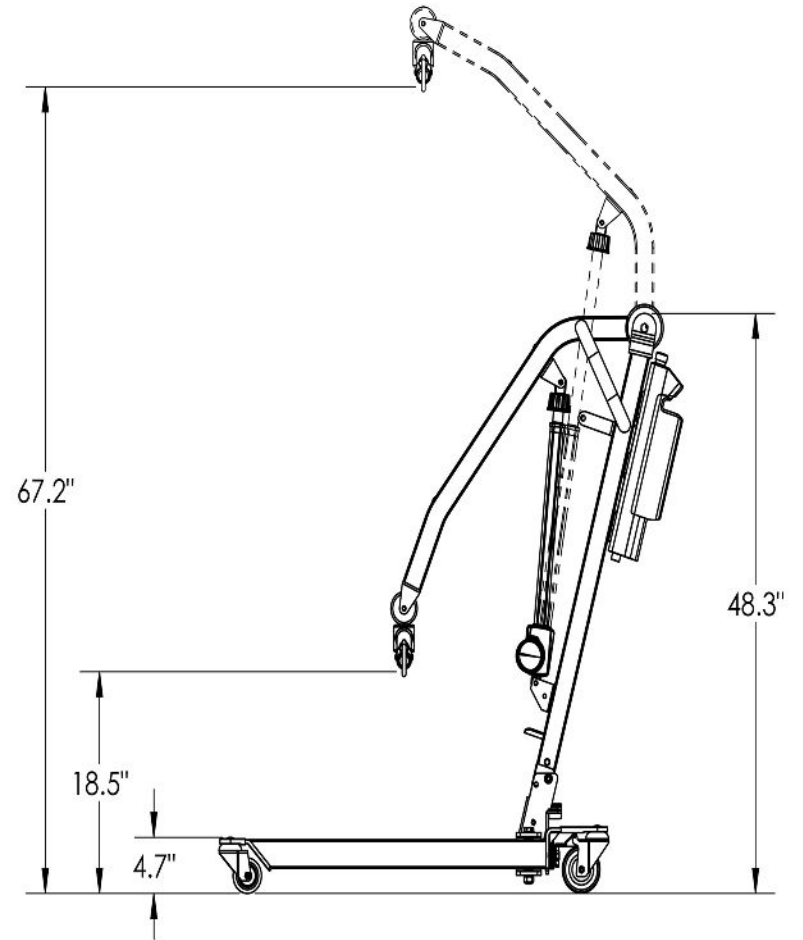


# Span F400

Foldable / Portable Patient Lift



## DIMENSIONS CHART



# SPAN

better science. better care.

800-888-6752

[spanamerica.com](http://spanamerica.com)