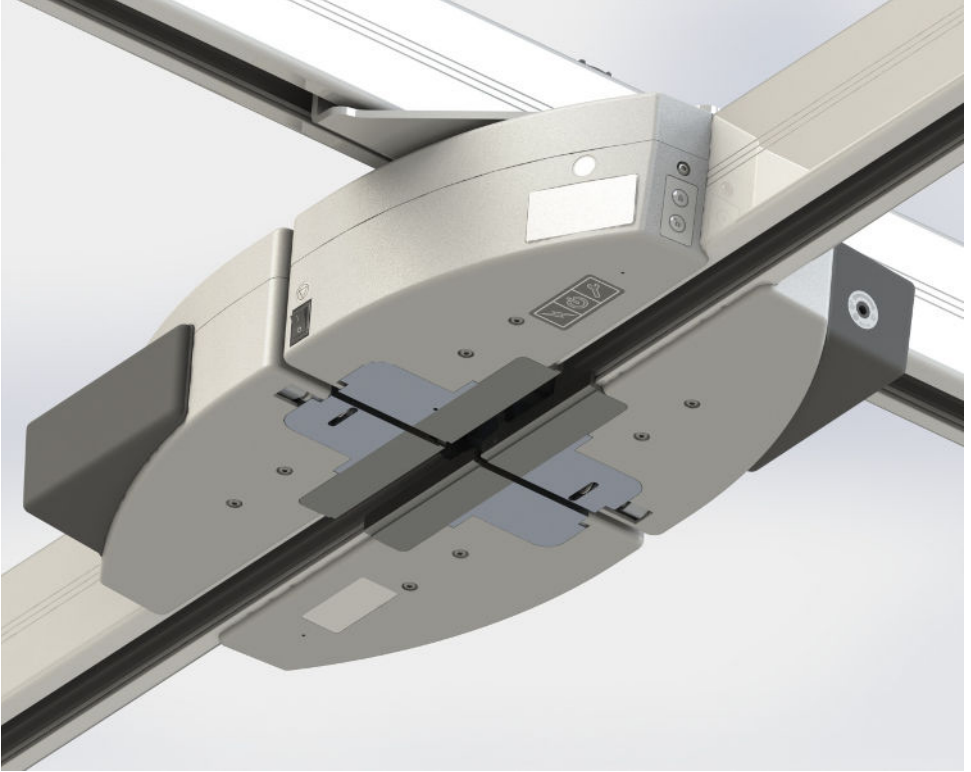


Savaria

Track Bridge (M92940x)

Track Bridge Bariatric (M92942x)

**OWNER'S
MANUAL**



FOREWORD

Savaria Patient Care provides products designed for safe patient movement and positive outcomes for long-term care, hospital settings and homecare environments. The company's research and clinically-based product line-up includes therapeutic surfaces for pressure management and positioning, medical beds and a complete portfolio of innovative ceiling lifts and slings. Built from a heritage of brands including Span, Handicare and Silvalea, Savaria

Patient Care is a division of Savaria Corporation (TSX:SIS), a global leader in accessibility.

IMPORTANT

Be sure to read this entire manual before using the Savaria Track Bridge. The information in this manual is important for the safety of the person being transferred and the operator, and for the proper use and maintenance of the device. Transfer always presents a potential risk and this manual provides important safety information that must be read and understood to help prevent injuries.

Unauthorized modifications to the device may affect its safety. Savaria Concord Lifts, Inc. will NOT be held responsible for any accidents, incidents or performance deficiencies that occur due to any unauthorized modification to the device. To avoid potential injury due to the use of inadequate parts, always use only Savaria replacement parts.

Regularly scheduled maintenance must be performed on your device by an Authorized Savaria Dealer to ensure safety and proper operation of the device. Refer to the *Maintenance* section in this manual

NOTE

If a serious incident occurs in relation to the device should be reported to the manufacturer or distributor of the device. In the European community, the incident shall be reported as well to the competent authority of the Member State in which the user and/or patient is established.

Legal Manufacturer:

Savaria Concord Lifts, Inc.
2 Walker Drive
Brampton, Ontario L6T 5E1
Canada

European Representative:

Advena Ltd.
Tower Business Centre,
2nd Flr., Tower Street, Swatar,
BKR 4013 Malta

UK Responsible Person/Northern Ireland Authorised Representative:

Advena Ltd, Pure Offices, Plato Close,
Warwick. CV34 6WE UK

Australian Sponsor:

KD&A PTY LTD
286 Flinders St, Adelaide
South Australia, 5000

Copyright © 2024
Savaria Concord Lifts, Inc.
All rights reserved.

STANDARD NOTATIONS

The following notations may be used throughout this manual to emphasize important safety information, mechanical concerns, and other important information. Please review and follow all of these messages.



DANGER

Danger messages indicate an imminently hazardous situation, which, if not avoided, results in death or serious injury. All danger messages feature a standard ISO safety alert symbol followed by the signal word **DANGER** in capitalized black lettering on a red background.



WARNING

Warning messages indicate a potentially hazardous situation, which, if not avoided, could result in death or serious injury. All warning messages feature a standard ISO safety alert symbol followed by the signal word **WARNING** in capitalized black lettering on a dark yellow background.



CAUTION

Caution messages indicate a potentially hazardous situation, which, if not avoided, could result in minor injuries. All caution messages feature a standard ISO safety alert symbol followed by the signal word **CAUTION** in capitalized black lettering on a yellow background.

NOTE

Note messages provide information, such as reminders, general information about a previous statement, or additional guidelines that do not fit into the flow of the preceding text. All note messages include the signal word **NOTE** in capitalized white lettering on a blue background.

CONTENTS

1. OVERVIEW	7
Intended Use	7
Product Life	7
Using This Manual	7
2. SAFETY INSTRUCCIONES	8
To Ensure Safety	8
Battery and Charger Safety	9
Fire and Explosion Prevention	10
Electric Shock Prevention	10
3. DESCRIPTION	11
Exterior View	11
Device Controls	13
Charger	14
Symbols	15
4. SPECIFICATIONS	19
Dimensions	21
Compatibility	21
5. USING THE DEVICE	22
Before Transfer	22
Using the Track Bridge	23
Manual Operation (electrical)	26
Manual Operation (mechanical)	27
6. MAINTENANCE	28
Environmental Notice	28
Operator Maintenance Schedule	28
Dealer Maintenance Schedule	29
Inspection and Cleaning	30
7. TROUBLESHOOTING	31
8. ELECTROMAGNETIC COMPATIBILITY	32
Electromagnetic Compliance	32
Electromagnetic Immunity	33

1. OVERVIEW

NOTE

This document is meant for both the Track Bridge (M92940x) and Track Bridge Bariatric (M92942x). Unless specified, the manual will only be referring to the track bridge.

Intended Use

The Track Bridge is designed for use by caregivers and health care professionals to connect a mobile X-Y rail to a fixed rail together, thus allowing the ceiling lift to move freely between both track routes in a homecare, assisted-living or hospital environment. Transfer must be performed by a qualified operator as described in this manual. **Do NOT use the device for any other purpose.**

Product Life

The device is designed for a useful life of 10 years after which time it must be replaced. To ensure this life span, you must perform the preventive maintenance as specified in the *Maintenance* section in this manual.



WARNING

Savaria Concord Lifts, Inc. cannot ensure complete safety for a device that has exceeded its useful life. Wear may cause failure of a part and lead to a patient fall.

The expected life for other parts such as slings, batteries, fuses, straps, and cords is dependent upon the proper care and use of the individual items. The items must be maintained as described in their accompanying documentation and in the *Maintenance* section in this manual.

Using This Manual

To ensure safe operation of the device, read this entire manual carefully, especially the *Safety Instructions*, before installing, using or maintaining the device. Failure to comply with all WARNINGS in this manual may result in injury. If there is anything you don't understand, contact your Authorized Savaria Dealer for further detail.

Keep this manual with the device and ensure all operators are fully trained in the use of the device as described in this manual.

2. SAFETY INSTRUCTIONS

Keep these *Safety Instructions* with the device at all times. Read this entire manual before installing, using or maintaining the device.



WARNING

Do NOT use the device for any purpose other than to transfer a person. To ensure safety of the person being transferred and the operator, follow all Safety Instructions.

To Ensure Safety

- The Track Bridge has a safe working load of 272 kg (600 lb). The Track Bridge Bariatric has a safe working load of 544kg (1200 lb). If the maximum load differs between the track bridge, the ceiling lift or a ceiling lift accessory, then the lowest maximum load shall always be used. Refer to the nameplate tags for the Maximum Load allowed.
- Ensure the track bridge is installed only with a Savaria ceiling track system and used only with Savaria ceiling lifts.
- The track bridge and track system must be installed by a trained and Authorized Savaria Dealer.
- Operators must be fully trained before using the ceiling lift and the track bridge.
- Take care to avoid impact during transfer.
- Keep all components of the device clean and dry.
- Perform the “Before each use” checks and actions specified in the *Operator Maintenance Schedule* before using the device.
- Ensure all checks and actions are performed at the frequency indicated in the *Maintenance* section in this manual.

Battery and Charger Safety



Contact your Authorized Savaria Dealer if you are unsure of any of the safety instructions provided below.

- Do NOT expose the battery or charger to water or any other liquid.
- To avoid injury, do NOT alter the battery in any way. Stop using the battery if any damage is noted.
- Do NOT charge the battery in an unventilated area and do not cover the charger.
- If the battery case cracks and the contents of the battery contact your skin or clothing, rinse immediately with plenty of water.
- If the contents of the battery contact your eyes, rinse immediately with plenty of water and seek medical attention.
- Inhalation of the contents of the battery can cause respiratory irritation. Provide fresh air and seek medical attention.
- For recycling or disposal of batteries, follow the rules according to the WEEE directive (Waste of Electronic and Electrical Equipment) as well as all local laws and regulations. If you do not follow these rules, the battery may explode, leak and cause personal injury.

Fire and Explosion Prevention

- Use only lithium ion batteries that are designed for use with the device.
- Use only the charger that is supplied with the device.
- Do NOT store batteries in an area with a temperature higher than 70 degrees C (158 degrees F).
- Do NOT store the battery in direct sunlight or near any heat source.
- Do NOT expose the battery or charger to flames.
- Do NOT use the charger in the presence of any flammable anaesthetic gases.
- Do NOT short circuit the battery terminals.
- Do NOT incinerate the battery.
- Do NOT puncture the battery or try to open/dismantle the battery

Electric Shock Prevention

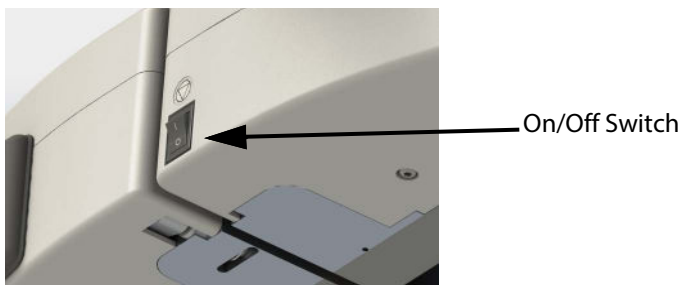
- Do NOT touch or use the device if you notice any exposed or damaged wires.
- Do NOT expose electrical parts of the device to water or moisture.
- Do NOT attempt to use the charger in an area that has a different voltage and frequency requirement other than that specified on the nameplate.
- Do NOT attempt any repairs to the device, battery or charger. Always contact your Authorized Savaria Dealer for service.

3. DESCRIPTION

Exterior View

The image below shows the track bridge uninstalled, viewed from below.

Figure 1



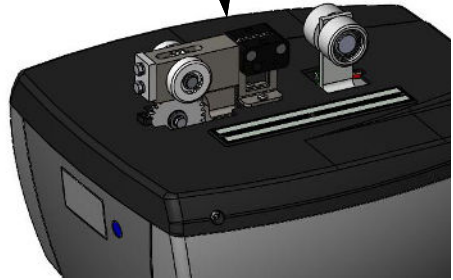
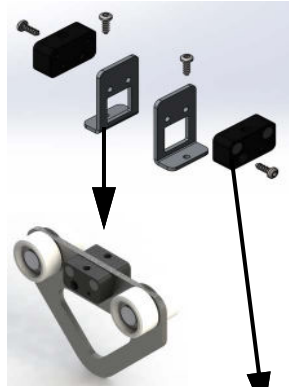
Note that the track bridge will only work with devices equipped with a magnetic block as shown in the following figure. For magnetic block installation, refer to the Track Installation section in the Track Installation Guide (001076).

Figure 2

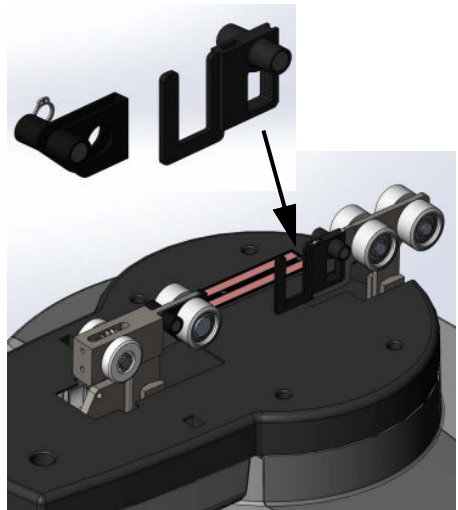
Magnetic block kit provided with the track bridge and the track bridge bariatric.

Magnetic block installed on portable trolley when used with portable ceiling lift.




Magnetic block installed on fixed ceiling lift.



Magnetic block installed on bariatric ceiling lift.



Device Controls

Symbols	Lights Indicator	Meaning
	Charge Light- OFF	Device not connected to the charger (battery powered unit only), power failure, device in use.
	Charge Light- Amber (Solid)	Device is connected to charging system.
	Power Light- OFF	Device is OFF.
	Power Light - Green (Solid)	Device is powered ON and ready.
	Power Light - Green (Flashing)	Device battery is low. Still can be used, but will require charging Note: <i>An audible beep is emitted approximately every minute in addition to the flashing indicator.</i>
	Power Light - Red (Flashing)	Device battery is low. Not sufficient power available to complete one full cycle. Requires charging.
	Power Light - Red (3 flashes sequence)	Battery overheat
	Power Light - Red (Solid)	Device malfunction (incomplete lock/unlock action, jammed, time-out, etc.).
	Maintenance Light - OFF	Device is ready for use.
	Maintenance Light - Amber (Solid)	Inspection required. Call Authorized Savaria Dealer.

Charger

The device is supplied with a battery charger. Please note the charger may slightly look different from the image below.

The track bridge is connected to the constant charging system (CCR system) in the track. The battery charger is external to the track system and it is intended to stay connected to the CCR at all times. The track bridge manages the battery charging automatically as needed.

Figure 3





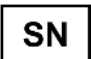











LED Description






1. Green LED (solid): Charger is powered, device is fully charged or disconnected
2. Yellow, orange or red LED (depending on the charger version): Device is charging
3. Green LED (blinking/fading): erroneous plugging sequence (most likely to occur with M920001-X charger):
 - a. When this happens, user has to make sure that the charger is powered (plugged to the wall) prior to connect it to the device.








Symbols

The following chart illustrates the symbols that may be used on the nameplate, the packaging and the device.

Symbols on nameplate	
 YYYY-MM-DD	<p>Indicates the medical device manufacturer. This symbol is accompanied by the address of the manufacturer and the date of manufacture.</p> <p>YYYY: Represents the year MM: Represents the month DD: Represents the day</p>
	<p>Indicates the authorized representative in the European Community.</p> <p>This symbol is accompanied by the address of the authorized representative.</p>
	<p>Indicates the UK Responsible Person.</p> <p>This symbol is accompanied by the address of the UK Responsible Person.</p>
<p>AUSTRALIAN SPONSOR:</p>	<p>Indicates the Australian Sponsor.</p> <p>This symbol is accompanied by the address of the Australian Sponsor.</p>
	<p>Indicates the manufacturer's catalogue number</p>
	<p>Indicates the manufacturer's serial number</p>
	<p>Indicates a medical device that needs to be protected from moisture</p>
	<p>Indicates the product complies with the medical device directive</p>

	Indicates the product was certified by third-party "QPS"
	Indicates the product complies with the directive (RoHS)
	Indicates separate collection for waste of electrical and electronic equipment as per WEEE directive
	Caution
	Follow instructions for use
	Consult instructions for use
	Type BF protection against electrical shocks
<p>MAX . LOAD :</p>	Refers to the greatest permissible load that can be applied to the product.
<p>IPX₁X₂</p>	<p>Ingress Protection: X₁: Protection level against ingress of solid particles X₂: Protection level against ingress of liquids</p>

 <p data-bbox="181 298 302 315">(0*) 19988003001006</p>	<p data-bbox="391 172 894 220">Unique Device Identifier (UDI) carrier according to GS1.</p>
	<p data-bbox="391 367 905 415">Indicates the product is a medical device according to EU Medical Device Regulation 2017/745</p>
<p data-bbox="112 557 341 581">Symbols on box label</p>	
	<p data-bbox="391 605 846 654">Indicates the temperature limits to which the medical device can be safely exposed</p>
	<p data-bbox="391 735 838 784">Indicates the range of humidity to which the medical device can be safely exposed</p>
	<p data-bbox="391 881 873 930">Indicates the range of atmospheric pressure to which the medical device can be safely exposed</p>

Symbols on device	
	Charge Light. Indicates that the device is on charge or charged
	Power Light. Indicates the power status
	Maintenance Light. Indicates that maintenance is recommended on the device
	Lock button. Its hold locks the track bridge sections together. To prevent sequence errors should be held until the end of the action.
	Unlock button. Its hold unlocks the track bridge sections. To prevent sequence errors should be held until the end of the action.
	Clockwise rotation will lock track bridge sections together Counter-clockwise rotation will unlock track bridge sections
	Indicates the " Stop " button on the product

4. SPECIFICATIONS



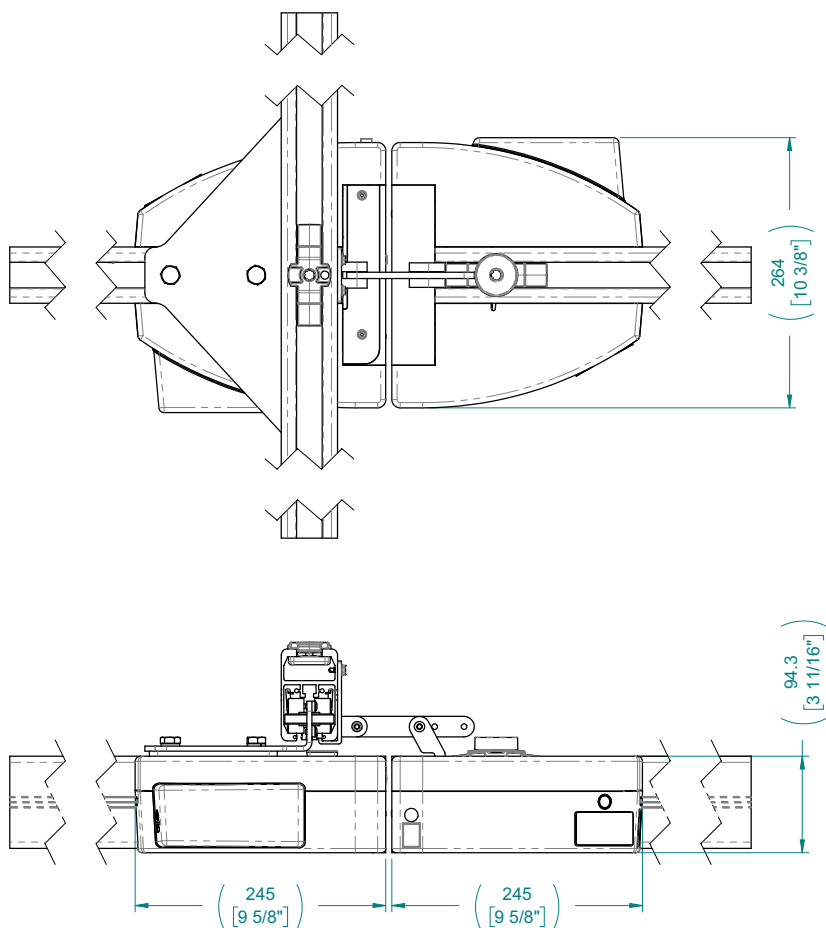
WARNING

This equipment is not suitable in the presence of flammable anesthetic mixtures with air or oxygen, or with nitrous oxide.

Product	
Product Weight	9.8 kg (21.6 lb)
Product Life	10 years
Safe Working Load (SWL) - Track Bridge	272 kg (600 lb)
Safe Working Load (SWL) - Track Bridge Bariatric	544 kg (1 200 lb)
Ingress Protection Rating	IP20
Noise Level	Maximum 54 dBA
Duty Cycle	Max 10%, 1 min continuous use
Medical Equipment Class	Class 1
Protection Class	Type BF
Power Source	
Battery	Battery type: Lithium Ion, 25.2V, 2500mAh (replaceable)
Charger	
Input	100-240 VAC, 50-60Hz
Output	29.4 VDC, max 1A
Environmental Conditions: Operation	
Temperature	5 °C to 40 °C (41 °F to 104 °F)
Battery Charging Temperature	10 °C to 40 °C (50 °F to 104 °F)
Humidity	15 to 93%, non-condensing
Atmospheric Pressure	700 hPA to 1060 hPA

Environmental Conditions: Transport/Storage	
Temperature	-25 °C to 70 °C (-13 °F to 158 °F)
Humidity	0 to 93%, non-condensing
Atmospheric Pressure	500 hPa to 1060 hPa
Controls	
Control	Ceiling lift presence detected by magnetic sensor
Operating Force	< 5 N
On/Off Switch	Allows to bring the device into operation and to safely terminate the operation.
Compliance	
IEC 60601-1:2005 + corr1:2006 + corr2:2007 + A1:2012 (Medical Electrical Equipment)	
IEC 60601-1-11:2015 (Homecare)	
ISO 10535:2021	
CAN/CSA Z10535.1:15 (Patient Lift)	
CE Marking per MDR (EU) 2017/745 (Medical Device)	
2006/42/EC (Machinery Directive)	
2015/863/EU (ROHS - 100% of components)	
2012/19/EU (WEEE)	

Dimensions



Compatibility

The track bridge is compatible with portable, fixed and bariatric ceiling lifts.

However, the track bridge is not compatible with devices equipped with the constant charging system CCR (fixed and bariatric ceiling lifts) nor with the swivel trolley (used with portable ceiling lift).

5. USING THE DEVICE



WARNING

Read the *Safety Instructions* in this manual **BEFORE** using the device.

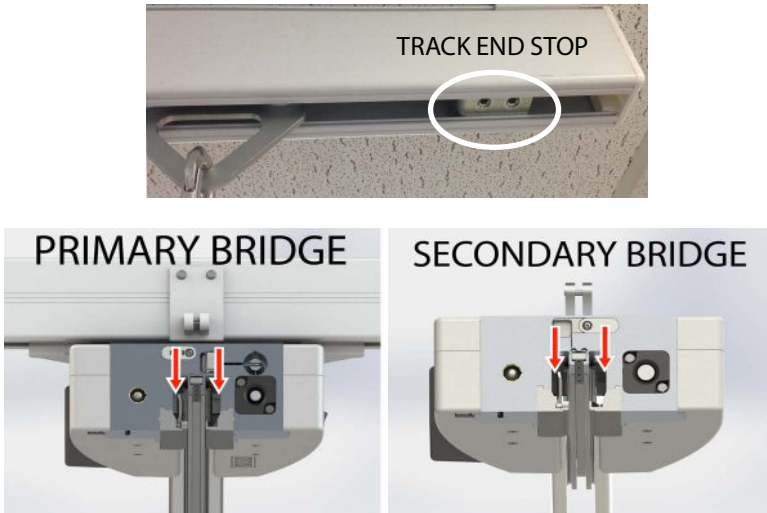
Before Transfer

- The track bridge has built-in stoppers that automatically close when the device is disengaged. Ensure these stoppers are in correct position.
- Any track extremities other than the extremities blocked by the track bridge shall have end stops securely in place as shown below.
- Inform the person to be transferred what you are about to do. The beep and the locking process can cause stress if the process is unknown.

NOTE

The arrows in figure 4 indicate the built-in stoppers on the track bridge

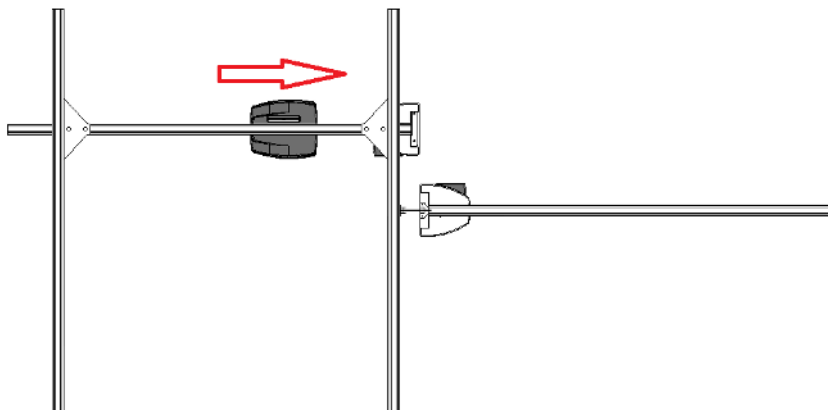
Figure 4



Using the Track Bridge

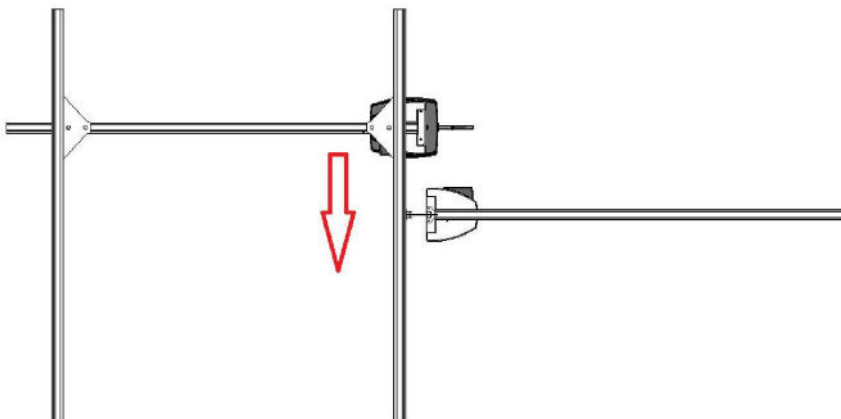
- 1 Move the ceiling lift inside the track bridge.

Figure 5



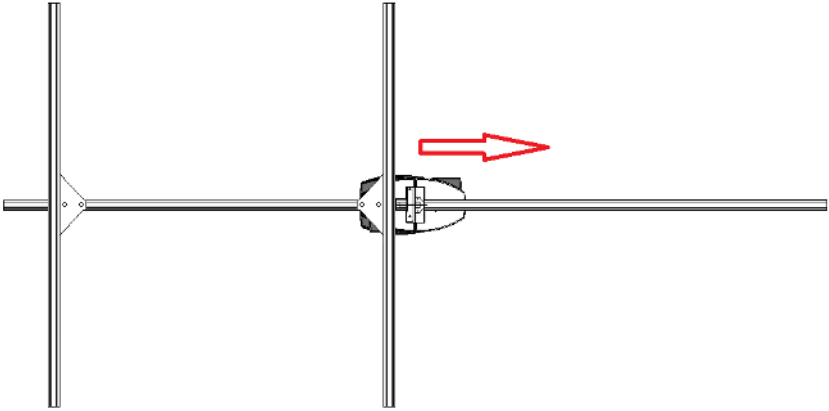
- 2 Move the mobile track bridge (Primary) in front of the fixed track bridge (Secondary). You will hear a beep confirming that the track bridge is positioned correctly.

Figure 6



- 3 After less than two seconds, the track bridge will automatically become engaged.
- 4 Move the ceiling lift across the fixed track bridge (Secondary) and into the track. The track bridges will remain locked together until the ceiling lift returns and crosses the track bridge to go back into the mobile track.

Figure 7



- 5 To disengage the track bridge, move the ceiling lift across both track bridges for it to automatically disconnect.

Figure 8

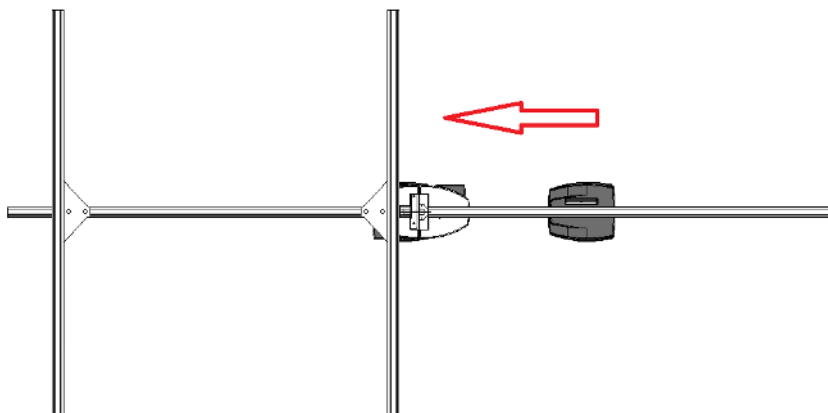
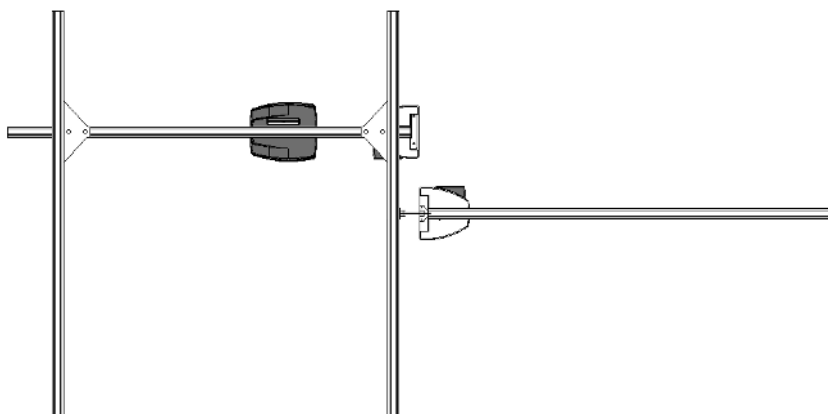


Figure 9



⚠ CAUTION

Do NOT move the ceiling lift by pulling the hand control. The handset may spring return and cause injuries.

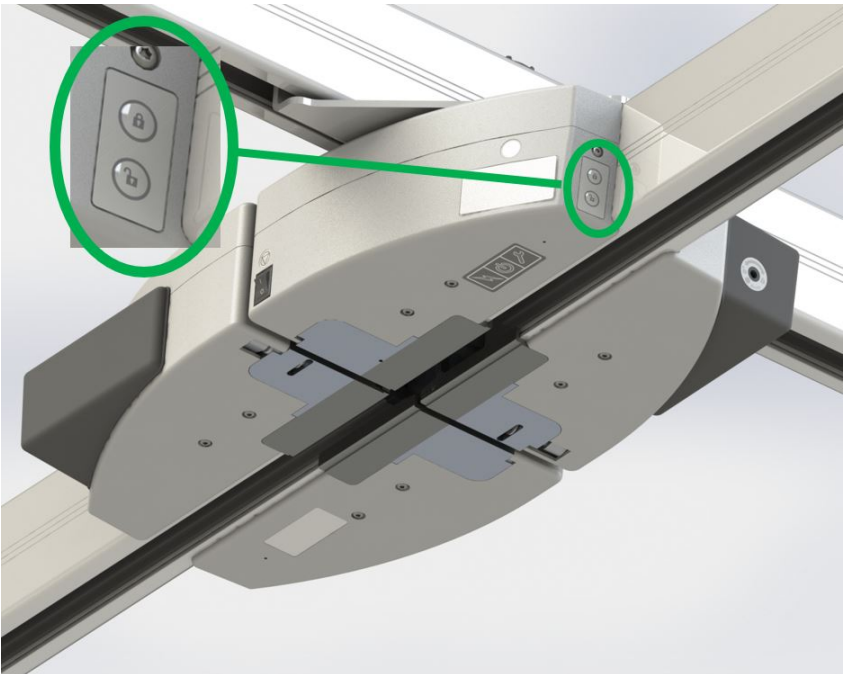
⚠ WARNING

NEVER leave a person unattended during a transfer to prevent the person from falling and sustaining possible injuries.

Manual Operation (electrical)

In the unlikely event of a track bridge failure, you can use the bypass buttons to manually operate the track bridge.

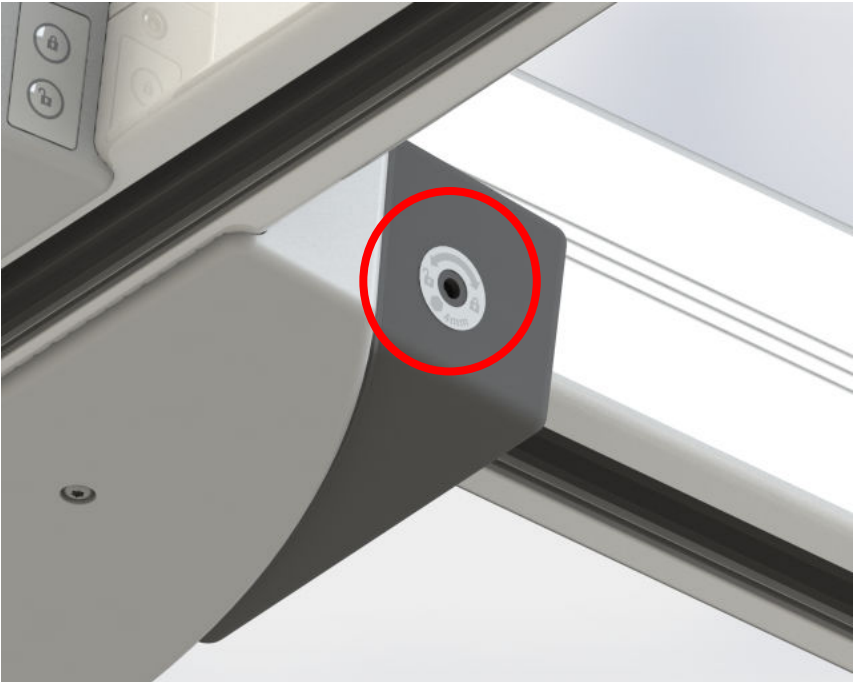
Figure 10



Manual Operation (mechanical)

In the unlikely event of a track bridge failure, you can use a 4mm Allen Key to manually operate the track bridge.

Figure 11



6. MAINTENANCE

The device is subject to wear and tear from use. You must perform the checks and actions in the following tables to ensure safety and proper operation.



WARNING

Contact your Authorized Savaria Dealer to perform the Dealer Checks/Actions. Safety-related maintenance and service must be performed by an Authorized Savaria Dealer as these shall be carried out by demonstrably competent and specifically trained people, familiar with the design, use and care of the device.

This maintenance schedule provides the minimum recommendations. In some cases, more frequent checks may be required per local regulations and codes.

To ensure safety of the person being transferred and the operator, do NOT use the equipment if a fault is found or if these regular checks have not been performed.

Environmental Notice

For disposal of any components associated with the product, have them separated and recycled according to the WEEE directive. Contact appropriate local authorities for more information.

Operator Maintenance Schedule

Perform the following checks/actions as indicated. If any of the checks fail, contact your Authorized Savaria Dealer for service or replacement of parts.

Operator Check/Action	Frequency
Check the track and hardware for any damage	Before every use
Check the track end stops are securely in place	Before every use
Check the built-in stoppers are all securely in place on both track bridge sections (see figure 4)	Before every use
Clean the outside of the device	As required

Dealer Maintenance Schedule

Perform the checks/actions listed in the Operator Maintenance Schedule as well as those listed in the table below.

Dealer Check/Action	Frequency
Check all inside hardware to ensure it is properly tightened	Every year
Check the connection points of the tracks to the track bridge	Every year
Check the wiring and connectors for proper connection	Every year
Perform a load test on the track bridge and track system with the Safe Working Load	Every year



To avoid potential injury, use ONLY Savaria parts when replacing parts.

To prevent the person from falling (or objects from falling) that may cause injuries to the person, the operator or other persons, always reinstall the track end stops if they were removed for servicing. Note that the recommended tightening torque for the track end stop is 20 N-m (15 lb-ft). Figure 12 shows the track end stop.

Figure 12



Inspection and Cleaning

To clean the device, wipe down the casing with a damp cloth using warm water and a cleaner. Follow with a clean damp cloth to remove excess cleaner. Finish with a dry cloth to remove excess moisture. You can also use wipes that have a 70% v/v solution of isopropyl alcohol.

Rub the device vigorously with the cloth or wipe to ensure thorough cleaning of the entire surface.



WARNING

Do not use phenol, chlorine or any other type of solvent that may cause the device deterioration resulting in load bearing component failure.



WARNING

Do not splash, drench or immerse the unit in water as the unit could malfunction causing injuries to occur.

To ensure a better rolling surface for the trolley wheels, clean the inside of the track every 4 months. To do this, insert a damp cloth in the opening and slide it from one end of the track to the other.

7. TROUBLESHOOTING



WARNING

Do NOT open the device casing. Only an Authorized Savaria Dealer is qualified to open it. Modifications made to the device by someone other than a qualified technician may cause serious injury.

For complementary informations, please refer to Device Controls section.

Problem	Action
The unit starts and stops repeatedly.	Verify the connection from the power outlet to the power source, and then to the device. If the problem persists and the device still does not operate, contact your Authorized Savaria Dealer for service.
The track bridge doesn't beep or engage.	Make sure the power switch is in the ON position. Make sure the ceiling lift is equipped with a magnetic block and is inside the track bridge. Make sure the track bridge sections are aligned or that the mobile track speed isn't too fast when aligning with the fixed track. Ensure that the track bridge is properly energized, see following.
The track bridge emits a beep every minute.	Verify the power outlet is energized, the charger is properly plugged into the power outlet and connected to the CCR strip. Verify also that the CCR brushes are plugged into the track bridge.
Ceiling lift stuck in the track bridge halfway engaged.	Use the manual operation (electrical or mechanical). See Section 5.

8. ELECTROMAGNETIC COMPATIBILITY

Electromagnetic Compliance

The device has been tested for compliance with current regulatory standards in regards to EMI (electromagnetic interference).



Use of this equipment adjacent to or stacked with other equipment should be avoided because it could result in improper operation. If such use is necessary, this equipment and the other equipment should be observed to verify that they are operating normally.

Use of accessories and cables other than those specified or provided by the manufacturer of this equipment, could result in increased electromagnetic emissions or decreased electromagnetic immunity of this equipment, and result in improper operation.


Portable RF communications equipment (including peripherals such as antenna cables and external antennas) should be used no closer than 30 cm (12 inches) to any part of the device, including cables specified by the manufacturer. Otherwise, degradation of the performance of this equipment could result.

Guidance and Manufacturer's Declaration - Electromagnetic Emissions - For All Equipment and Systems		
The device is intended for use in the electromagnetic environment specified below.		
Emissions test	Compliance	Electromagnetic environment - guidance
RF emissions CISPR 11	Group 1	The device uses RF energy only for its internal function. Therefore, its RF emissions are very low and are not likely to cause any interference with nearby equipment
RF emissions CISPR 11	Class B	The device is suitable for use in all establishments, including domestic establishments and those directly connected to the public low-voltage power supply network supplying buildings used for domestic purposes.
Harmonic emissions IEC 61000-3-2	Not applicable	
Voltage fluctuations/ flicker emissions IEC 61000-3-3	Not applicable	

Electromagnetic Immunity

Guidance and Manufacturer's Declaration - Electromagnetic Immunity - For All Equipment and Systems			
The device is intended for use in the electromagnetic environment specified below.			
Immunity test	IEC 60601 test level	Compliance level	Electromagnetic environment - guidance
Electrostatic discharge (ESD) IEC 61000-4-2	+/-8 kV contact +/-15 kV air	+/-8 kV contact +/-15 kV air	Floors should be wood, concrete or ceramic tile. If floors are covered with synthetic material, the relative humidity should be at least 30%.
Surge IEC 61000-4-5	+/-1 kV differential mode +/-2 kV for common mode	+/-1 kV differential mode +/-2 kV for common mode	Mains power quality should be that of a typical commercial or hospital environment.
Power frequency (50/60 Hz) magnetic field IEC 61000-4-8	30 A/m	30 A/m	Power frequency magnetic fields should be at levels characteristic of a typical location in a typical commercial or hospital environment.
NOTE: <i>UT</i> is the AC mains voltage prior to application of the test level.			

Electromagnetic Immunity (continued)

Guidance and Manufacturer's Declaration - Electromagnetic Immunity - For All Equipment and Systems			
The device is intended for use in the electromagnetic environment specified below.			
Immunity test	IEC 60601 test level	Compliance level	Electromagnetic environment - guidance
Radiated RF IEC 61000-4-3	10 V/m 80 MHz to 2.5 GHz, 1 KHz, 80% AM Mod.	10 V/m 80 MHz to 2.5 GHz, 1KHz, 80% AM Mod.	<p>Portable and mobile RF communications equipment should be used no closer to any part of the device, including cables, than the recommended separation distance calculated from the equation applicable to the frequency of the transmitter. Recommended separation distance:</p> $d = \left[\frac{3.5}{3} \right] \sqrt{P}$ $d = \left[\frac{3.5}{10} \right] \sqrt{P} \quad \text{80 MHz to 800 MHz}$ $d = \left[\frac{7}{10} \right] \sqrt{P} \quad \text{800 MHz to 2.5 GHz}$ <p>where P is the maximum output power rating of the transmitter in watts (W) according to the transmitter manufacturer and d is the recommended separation distance in metres.</p> <p>Field strengths from fixed RF transmitters, as determined by an electromagnetic site survey,^(a) should be less than the compliance level in each frequency range.^(b)</p> <p>Interference may occur in the vicinity of equipment marked with the following symbol:</p> 

Electromagnetic Immunity (continued)

NOTE 1: At 80 MHz and 800 MHz, the higher frequency applies.

NOTE 2: These guidelines may not apply in all situations. Electromagnetic propagation is affected by absorption and reflection from structures, objects and people.

(a) Field strengths from fixed transmitters, such as base stations for radio (cellular/cordless) telephones and land mobile radios, amateur radio, AM and FM broadcast and TV broadcast cannot be predicted theoretically with accuracy. To assess the electromagnetic environment due to fixed RF transmitters, an electromagnetic site survey should be considered. If the measured field strength in the location where the lift is used exceeds the applicable RF compliance level above, the lift should be observed to verify normal operation. If abnormal performance is observed, additional measures may be necessary, such as reorienting or relocating the lift.

(b) Over the frequency range 150 kHz to 80 MHz, field strengths should be less than 3 V/m.

Recommended Separation Distance Between - Portable and Mobile RF Communications Equipment and the device or Equipment and Systems that are not Life-Supporting

Recommended separation distances between portable and mobile RF communications equipment and the device.

The device is intended for use in electromagnetic environments in which radiated RF disturbances are controlled. The customer or the user of the device can help prevent electromagnetic interference by maintaining a minimum distance between portable and mobile RF communication equipment (transmitters) and the device as recommended below, according to the maximum output power of the communications equipment.

Rated maximum output power of transmitter W	Separation distances according to frequency of transmitter m		
	150 kHz to 80 MHz	80 MHz to 800 MHz	800 MHz to 2.5 GHz
	$d = \left[\frac{3.5}{3} \right] \sqrt{P}$	$d = \left[\frac{3.5}{10} \right] \sqrt{P}$	$d = \left[\frac{7}{10} \right] \sqrt{P}$
0.01	0.12	0.12	0.24
0.1	0.37	0.37	0.74
1	1.17	1.17	2.34
10	3.69	3.69	7.38
100	11.67	11.67	23.34

For transmitters rated at a maximum output power not listed above, the recommended separation distance d in metres (m) can be estimated using the equation applicable to the frequency of the transmitter, where P is the maximum output power rating of the transmitter in watts (W) according to the transmitter manufacturer.

NOTE 1: At 80 MHz and 800 MHz, the separation distance for the higher frequency range applies.

NOTE 2: These guidelines may not apply in all situations. Electromagnetic propagation is affected by absorption and reflection from structures, objects and people.

Authorized Savaria Dealer

Savaria
Track Bridge (M92940x) /
Track Bridge Bariatric (M92942x)
OWNER'S MANUAL

Part No. 001300-EN
Rev. 006, 18-m01-2024
© Copyright 2024

Savaria Concord Lifts, Inc.
2 Walker Drive
Brampton, Ontario, L6T 5E1, Canada
www.savaria.com

For service or questions about this product, please contact your installing dealer.

DEALER NAME: _____

DEALER PHONE: _____

