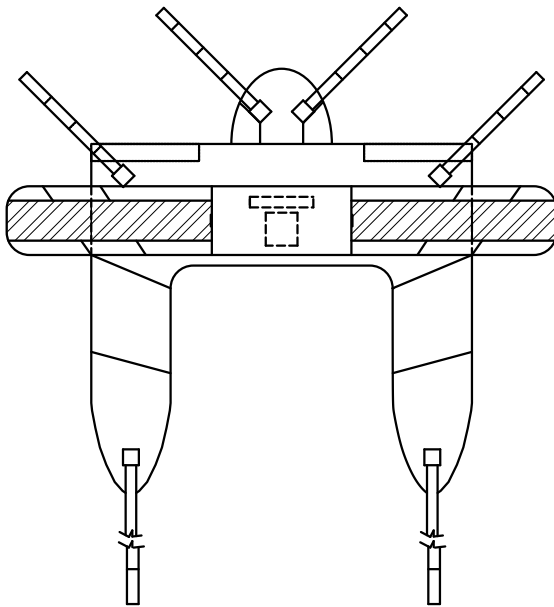


# SLING INSTRUCTION SHEET

## HYGIENE SLING

The Hygiene sling is designed to be used from a sitting position with either a client lift or a Stand Aid. This sling is specifically designed for toileting and hygiene functions. The client must have adequate trunk control, and not require more trunk support than the Hygiene sling provides.



### THIS SLING IS NOT SUITABLE TO LEAVE UNDER THE CLIENT.

The Hygiene Sling is only available in polyester fabric.

The decision to leave a sling in place must be based on strong clinical reasoning and the rationale should be documented. A trained professional should always perform a risk assessment to determine the sling application method, design, and fabric to be used.

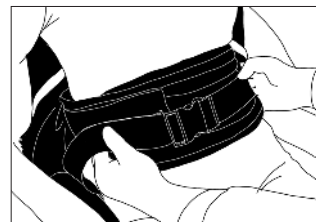
Always refer to your institutional policies and procedures to ensure appropriate precautions are being followed.

### APPLYING THE SLING WHEN THE CLIENT IS SITTING IN A CHAIR/WHEELCHAIR:

1. Ask the client to lean forward. If the client cannot do this by him/herself, gently bring him/her forward using the sling behind the shoulders to assist you.



2. Apply the sling:
  - a. Tuck the sling down behind the client's back with the tag on the outside
  - b. The bottom edge should fall just above the tailbone
  - c. Let the rest of the sling slide down between the client's back and the chair back



3. Bring the two sections of the support strap around the person's trunk and fasten securely using the buckle fastening.

PART #	DESCRIPTION	SWF *
537605	Hygiene Quilted Sling – JR – Buckle	1000 lbs
537610	Hygiene Quilted Sling – S – Buckle	1000 lbs
537620	Hygiene Quilted Sling – M – Buckle	1000 lbs
537630	Hygiene Quilted Sling – L – Buckle	1000 lbs
537640	Hygiene Quilted Sling – XL – Buckle	1000 lbs
537650	Hygiene Quilted Sling – XXL – Buckle	1000 lbs

\* SAFE WORKING LOAD

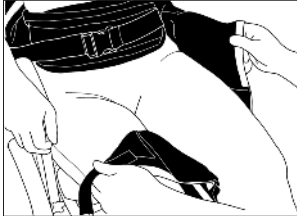
## Handicare

81 Romina Drive, Concord ON L4K 4Z9 Canada | 1.877.304.5438 | [www.handicare.ca](http://www.handicare.ca)  
 10888 Metro Court, St. Louis, MO 63043 USA | Toll Free: 1.866.891.6502 | [www.handicareusa.com](http://www.handicareusa.com)

# SLING INSTRUCTION SHEET

## HYGIENE SLING

4. Tuck the leg bands under the client's thighs as shown in picture



5. At the base of the leg section strap there is a loop. Bring the straps together by passing one strap through the loop



6. Bring the top of the sling around the client's mid-back



7. Attach the loops on the straps to the carry bar on the lift
- Make sure you use the same color loops on both sides of the sling
  - Remember: Short loops for Shoulders, and Long loops for Legs if you want the client to be lifted in an upright seated position
  - Ensure loops remain securely attached to the carry bar as you lift
8. Once lifted into the air, it is now possible to prepare the client for toileting

**TO REMOVE THE SLING, CARRYOUT THE FITTING PROCEDURE IN REVERSE.**

### WASHING INSTRUCTIONS

The sling should be inserted into a washing/laundry bag prior to being placed into the washer. This is to prevent any unusual wear and tear of the sling by the agitator and/or other parts of the washing machine.



**NOTE:** The Hygiene Sling is made from knit polyester material. Life expectancy is up to 4 years depending on use, care and laundering process. Always follow general guidelines before use. Discard the sling if any tears or serious defects are found.

### GENERAL GUIDELINES

Only people who have received proper training should attempt to use Handicare's Lift Systems. Improper use can lead to serious injury.

**Please read and adhere to the following guidelines:**

- Read all lift instructions before using.
- Do not exceed safe weight capacity.
- Visually inspect the sling prior to using it (check for fraying, cuts, or tears to straps and/or material).
- A balanced fit is a safe fit: position the sling under and around the individual.
- Do not use the lift systems for anything but their stated purpose.

*All Handicare's loop-style slings are compatible with our complete range of carry bars.*

*To ensure anyone using Handicare's Lift Systems is properly trained, an on-going training program should be established. Contact your Handicare representative should you have further questions.*

## Handicare

81 Romina Drive, Concord ON L4K 4Z9 Canada | 1.877.304.5438 | [www.handicare.ca](http://www.handicare.ca)  
10888 Metro Court, St. Louis, MO 63043 USA | Toll Free: 1.866.891.6502 | [www.handicareusa.com](http://www.handicareusa.com)